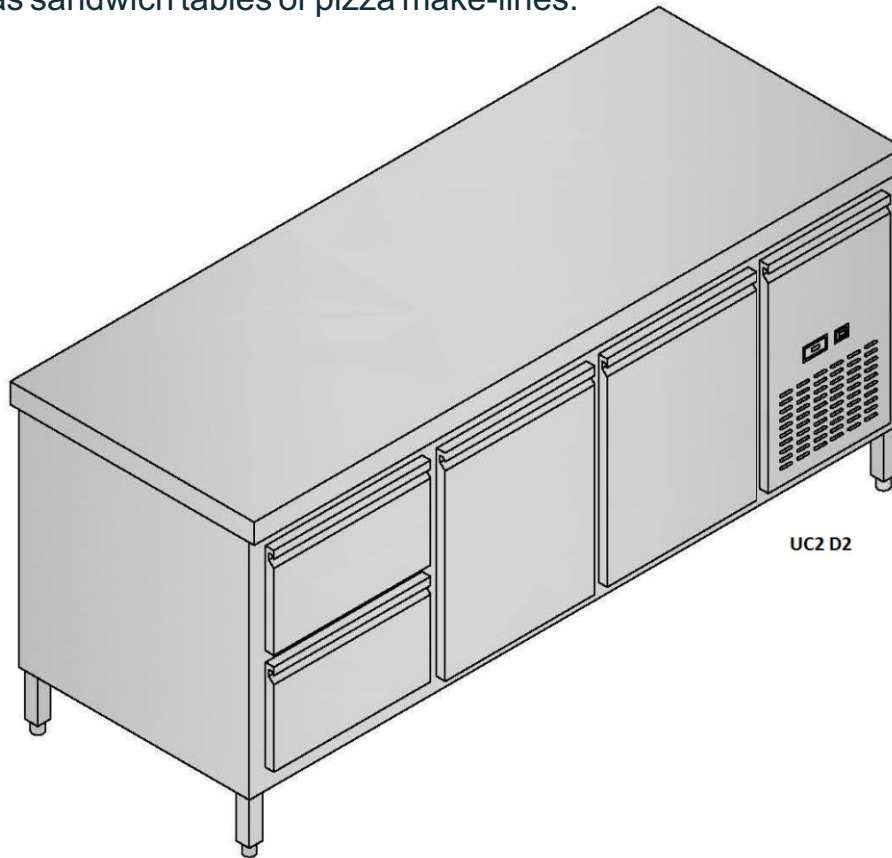


# Counter Chillers with Drawers and Doors

Counter Chillers with Drawers and Doors (2°C to 4°C) are most practical for placement in areas where food is stored for immediate use for cooking or quick dispensing. These counters can be delivered with doors, drawers or combination of both. Counters can also be offered with cold pans as sandwich tables or pizza make-lines.



## Counter Chillers with Drawers and Doors – Series CC D

Model	Doors	Drawer	Overall Size w x d x h (mm)	Capacity Litres	Temp °C	Electrical Rating [V / Ph / Kw]
CC 1 - D2	1	2	1220 x 700 x 850	148	2 to 4	230 / 1 / 0.39
CC 2 - D2	2	2	1690 x 700 x 850	298	2 to 4	230 / 1 / 0.42
CC 1 - D4	1	4	1690 x 700 x 850	460	2 to 4	230 / 1 / 0.45

### FEATURES

- Forced draft cooling
- Self closing doors – doors remain in open position if opened more than 90 degrees
- Easy to remove louvers for cleaning
- Automatic defrost, cycle
- Condensate heater
- 1 no. anti corrosive wire shelf of size GN1/1 per door
- Coved corners
- Designed to operate at up to 43°C ambient

### TECHNICAL SPECIFICATIONS

- R134a refrigerant
- Top in 18swg SS Sheet bent 50mm on sides
- Digital Temperature Controller
- Exterior in 430 grade SS Sheet
- Interior in 304 grade SS Sheet
- 60mm in-situ puf insulation
- Tecumseh/Emerson / Danfoss make refrigeration unit
- Removable magnetic gasket
- Thermal break profile

### OPTIONAL

- Stone Top
- Castors
- Door heaters
- Remote access to controller
- Remote condensing unit
- Cylinder locks instead of locking plate
- Extra shelves & ledges

### STELLAR GASTRONOM PVT. LTD.

Sale / Registered Office: A 6, I Floor, Community Centre, (LSC)  
Naraina Industrial Area, Phase - II, New Delhi - 110 028  
Call : 011-43157300 Fax : 011-43157373  
Mail : info@stellargastronom.in

**STELLAR**<sup>TM</sup>  
REFRIGERATION | BLAST CHILLERS | COLD ROOMS