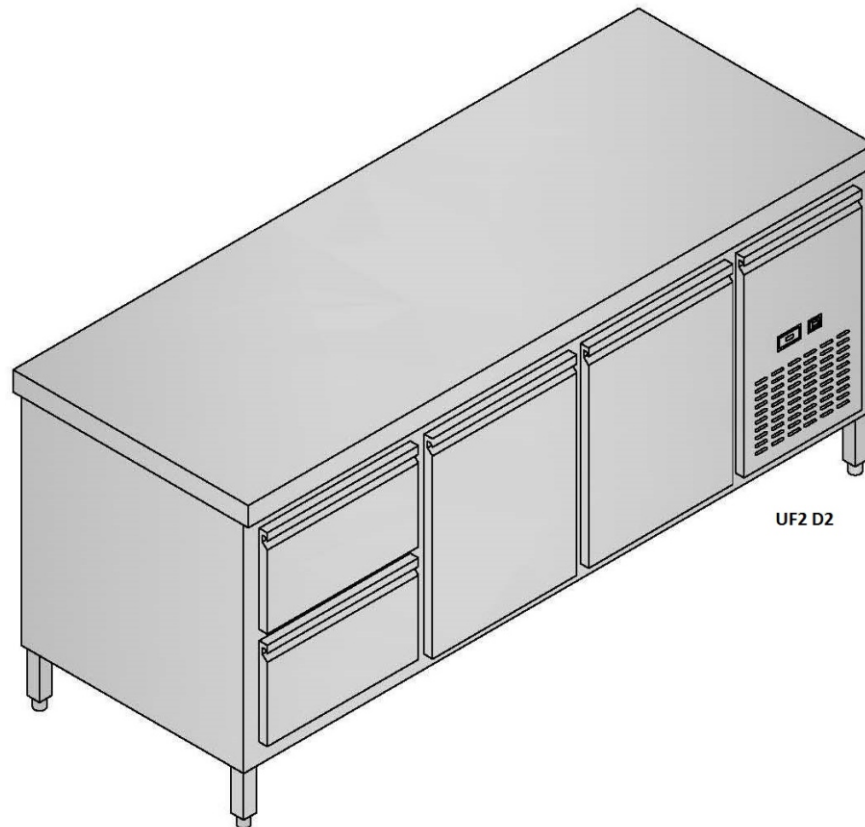


# Counter Freezer with Drawers and Doors

Counter Freezers with Drawers and Doors (-22°C to -18°C) are most practical for placement in areas where food is stored for immediate use for cooking or quick dispensing. These counters can be delivered with doors, drawers or combination of both.



UF2 D2

## Counter Freezer with Drawers and Doors – Series CF D

Model	Doors	Drawer	Overall Size w x d x h (mm)	Capacity Litres	Temp °C	Electrical Rating [V / Ph / Kw]
CF 1 D2	1	2	1220 x 700 x 850	148	-22 to -18	230 / 1 / 0.49
CF 2 D2	2	2	1690 x 700 x 850	298	-22 to -18	230 / 1 / 0.61
CF 1 D4	1	4	1690 x 700 x 850	460	-22 to -18	230 / 1 / 0.68

### FEATURES

- Forced draft cooling
- Sturdy stainless steel construction
- Self closing doors
- Easy to remove louvers for cleaning of condenser
- Automatic defrost, cycle
- Condensate heater
- 1 no. anti corrosive wire shelf of size GN1/1 per door
- Designed to operate at up to 43°C ambient

### TECHNICAL SPECIFICATIONS

- R404a refrigerant
- Top in 18swg SS Sheet bent 50mm on sides
- Digital Temperature Controller
- Exterior in 430 grade SS Sheet
- Interior in 304 grade SS Sheet
- 60mm in-situ puf insulation
- Tecumseh/Emerson / Danfoss make refrigeration unit
- Removable magnetic gasket
- Thermal break profile

### OPTIONAL

- Stone Top
- Castors
- Door heaters
- Static cooling
- Remote access to controller
- Remote condensing unit
- Cylinder locks instead of locking plate
- Extra shelves & ledges

### STELLAR GASTRONOM PVT. LTD.

Sale / Registered Office: A 6, I Floor, Community Centre, (LSC)  
Naraina Industrial Area, Phase - II, New Delhi - 110 028  
Call : 011-43157300 Fax : 011-43157373  
Mail : info@stellargastronom.in

**STELLAR**<sup>TM</sup>  
REFRIGERATION | BLAST CHILLERS | COLD ROOMS